

# POWER SUPPLIES

## AC POWER WALL ADAPTERS EU/JP/UK/US



AC Power Wall Adapter EU



AC Power Wall Adapter JP



AC Power Wall Adapter UK



AC Power Wall Adapter US

In certain applications, the standard USB cable is not enough to power ELATEC RFID readers. For this reason, ELATEC offers additional power supplies that are compatible with the most common country standards and are also suitable for TCP devices.

Special features:

- + AC Power Wall Adapters 5 V, 3 A for RS-232 and TCP devices



Elevator



EV Chargers



Access



Shop POS



Fitness  
Equipment



Ticket POS



PC Log-on



Document  
Management



Driver ID



Vending



Parking



Gaming



Locker Locks



Time  
Attendance

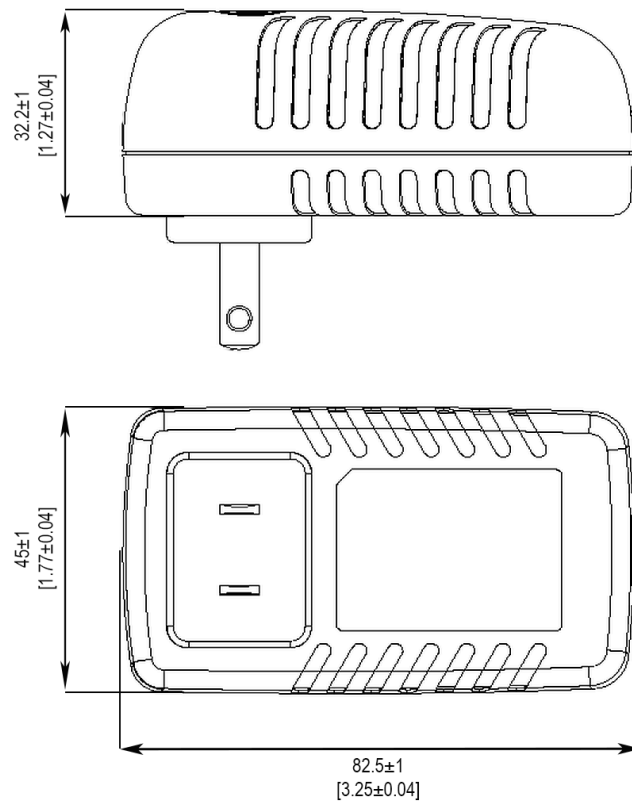


Industrial  
PC

## TECHNICAL DATA

INPUT FREQUENCY	50 – 60 Hz (variation range: 47 – 63 Hz)
INPUT VOLTAGE	100 – 240 V AC (variation range: 90 – 264 V AC)
INPUT CURRENT	Max. 0.6 A
INRUSH CURRENT	Max. 50 A
LEAKAGE CURRENT	Max. 0.25 mA (at 240 V AC input)
OUTPUT VOLTAGE	5 V DC
MIN. LOAD / MAX. LOAD	0 A / 3 A
OUTPUT POWER	15 W
RIPPLE AND NOISE	Max. 100 mV p-p (under rated voltage and nominal load)
TURN-ON DELAY TIME	Max. 2 s (at 230 V AC input and output max. load)
RISE TIME	Max. 100 ms (at 115 V AC input and output max. load)
HOLD UP TIME	Min. 7 ms (at 115 V AC input and output max. load)
HOUSING	Material: PC, color: black Max. dimensions, housing only, w/o contact pin (L x W x H): AC Power Wall Adapter EU: approx. 82.5 x 45.0 x 32.2 mm / 3.2 x 1.8 x 1.3 inch AC Power Wall Adapter JP: approx. 88.9 x 48.5 x 33.6 mm / 3.5 x 1.9 x 1.3 inch AC Power Wall Adapter UK: approx. 82.5 x 50.3 x 38.7 mm / 3.2 x 2.0 x 1.5 inch AC Power Wall Adapter US: approx. 82.5 x 45.0 x 32.2 mm / 3.2 x 1.8 x 1.3 inch
CABLE	Length, w/o pin connector: approx. 153 cm / 60.0 inch Color: black
TEMPERATURE RANGE	Operating: 0 °C up to +40 °C (32 °F up to +104 °F) Storage: -20 °C up to +85 °C (-4 °F up to +185 °F)
RELATIVE HUMIDITY	5% to 90% operating humidity
CERTIFICATION(S)	AC Power Wall Adapter EU: CE, GS AC Power Wall Adapter JP: PSE AC Power Wall Adapter UK: CE, BS AC Power Wall Adapter US: FCC, UL All models are REACH and RoHS compliant.
ORDER CODES	PWA-EU3: AC Power Wall Adapter EU PWA-JP3: AC Power Wall Adapter JP PWA-UK3: AC Power Wall Adapter UK PWA-US3: AC Power Wall Adapter US

## DRAWING (EXEMPLARY)



All dimensions in mm [inch]

### ELATEC GmbH

Zeppelinstr. 1  
82178 Puchheim  
Germany  
P +49 89 552 9961 0  
F +49 89 552 9961 129  
E-Mail: [info-rfid@elatec.com](mailto:info-rfid@elatec.com)  
Website: [elatec.com](http://elatec.com)

### ELATEC Systems GmbH

Schwieberdinger Str. 44  
71636 Ludwigsburg  
Germany  
P +49 7141 309736 0  
E-Mail: [info-rfid@elatec.com](mailto:info-rfid@elatec.com)  
Website: [elatec.com](http://elatec.com)

### ELATEC Inc.

1995 SW Martin Hwy  
Palm City • FL 34990  
USA  
P +1 772 210 2263  
F +1 772 382 3749  
E-Mail: [americas-info@elatec.com](mailto:americas-info@elatec.com)  
Website: [elatec.com](http://elatec.com)

### ELATEC Technology (Shenzhen) LLC

918, Main Building, Tian An Cyber Times  
Tower, No. 6, Tairan Fourth Road, Tian 'an  
Community, Shatou Neighborhood  
Futian District • Shenzhen • China  
P/F +86 755 2394 6014  
E-Mail: [apac-info@elatec.com](mailto:apac-info@elatec.com)  
Website: [elatec.com](http://elatec.com)

ELATEC reserves the right to change any information or data in this document without prior notice. ELATEC declines all responsibility for the use of this product with any other specification but the one mentioned above. Any additional requirement for a specific customer application has to be validated by the customer himself at his own responsibility. Where application information is given, it is only advisory and does not form part of the specification. Disclaimer: All names used in this document are registered trademarks of their respective owners.