

TWN4 MULTITECH SMARTCARD

TWN4 SMARTCARD MIFARE NFC USB

PROGRAMMABLE RFID/CONTACT READER & WRITER FOR LF/HF/NFC & ISO/IEC 7816 CARDS



TWN4 MultiTech SmartCard, black
(inlay customizable)



TWN4 MultiTech SmartCard, white
(inlay customizable)

ELATEC TWN4 MultiTech SmartCard is a combination of the TWN4 MultiTech (RFID) with an integrated contact card reader/writer (ISO 7816). It allows users to read and write almost any 125 kHz and 13.56 MHz transponders supporting all major technologies from various suppliers like ATMEL, EM, ST, NXP, TI, HID, LEGIC, etc. and many ISO standards such as ISO 14443A/B (T=CL), ISO 15693 and ISO 18092 / ECMA-340 (NFC). The integrated chip card reader is designed for easy integration into various applications.

The readers can be programmed with a script language for autonomous execution of even complex commands like login procedures, increment/decrement functions and many more. The reader supports host communication via USB or RS-232.

Special features:

- + Powerful SDK for writing apps which are executed directly on the reader
- + Firmware update in the field possible
- + On-board 18 kB flash storage, e.g. for storing user accessible non-volatile data
- + Direct chip-commands support
- + CCID and PC/SC 2.01
- + Two on-board SAM sockets (Secure Access Module), extendable by 2 SAM sockets
- + 2 GPIOs
- + Supports quick (re)configuration over network and over wireless interface with TWN4 CONFIG Card
- + TWN4 Upgrade Card for P and PI options available on request
- + 3D construction data (STEP) available on request



Elevator



EV Chargers



Access



Shop POS



Fitness
Equipment



Ticket POS



PC Log-on



Document
Management



Driver ID



Vending



Parking



Gaming



Locker Locks



Time
Attendance



Industrial
PC

TECHNICAL DATA

FREQUENCY	125 kHz (LF) / 13.56 MHz (HF)
ANTENNA(S)	Integrated
HOUSING	Material: ABS UL94-V0, color: black or white
DIMENSIONS (L X W X H)	88 mm x 68 mm x 19 mm / 3.46 inch x 2.68 inch x 0.75 inch
POWER SUPPLY	4.3 V - 5.5 V via USB Limited power source according to the safety norms listed in the respective declaration of conformity, short-circuit current < 8 A
TEMPERATURE RANGE	Operating: -25 °C up to +70 °C (-13 °F up to +158 °F) Storage: -40 °C up to +75 °C (-40 °F up to +167 °F)
RELATIVE HUMIDITY	5% to 95% non-condensing
READ- / WRITE DISTANCE	Up to 100 mm / 4 inch, depending on environment and transponder
OPERATING MODES (USB)	USB keyboard emulation – USB virtual COM port – CCID / PC/SC 2.01
MTBF	500,000 hours / Min. 100,000 card insertion cycles
WEIGHT	Approx. 140 g (with housing and USB cable)
SMARTCARD STANDARDS	ISO/IEC 7816 Part 1-4, Class A/B/C (5V, 3V, 1.8V), T=0, T=1
SMARTCARD CLOCK FREQUENCY	5 MHz up to 15 MHz
SUPPORTED SMARTCARDS	5V, 3V and 1.8V, ISO/IEC 7816 Class A/B/C
POWER TO SMARTCARD	60 mA in Class A; 55 mA in Class B; 35 mA in Class C
SMARTCARD DETECTION	Card present switch / Automatic power on/off / Short-circuit protection
SMARTCARD CARD SIZE	2xID-000 (SAM) ID-1
SMARTCARD CONTACT TYPE	8 pin Sliding Contact Socket, C4/C8 support ID-1
SUPPORTED TRANSPONDERS (STANDARD) 13.56 MHZ	<u>ISO14443A:</u> LEGIC Advant ¹⁾ , MIFARE Classic EV1 ²⁾ , MIFARE Classic, MIFARE Mini, MIFARE DESFire EV1, MIFARE DESFire EV2 ³⁾ , MIFARE DESFire Light ⁴⁾ , MIFARE Plus S, X, MIFARE Pro X ⁵⁾ , MIFARE Smart MX ⁵⁾ , MIFARE Ultralight, MIFARE Ultralight C, MIFARE Ultralight EV1 ²⁾ , NTAG2xx, SLE44R35 ⁵⁾ , SLE66Rxx (my-d move) ⁵⁾ , Topaz <u>ISO18092 ECMA-340:</u> NFC Forum Tag 1-5, NFC Peer-to-Peer, Sony FeliCa ⁶⁾ , NFC Active and passive communication mode <u>ISO14443B:</u> Calypso ⁵⁾ , Calypso Innovatron protocol ⁵⁾ , CEPAS ⁵⁾ , HID iCLASS ¹⁾ , Moneo ⁵⁾ , Pico Pass ⁷⁾ , SRI4K, SRIX4K, SRI512, SRT512 <u>ISO15693:</u> EM4x33 ⁵⁾ , EM4x35 ⁵⁾ , HID iCLASS ¹⁾ , HID iCLASS SE/SR ¹⁾ , ICODE SLI, LEGIC Advant ¹⁾ , M24LR16/64, SRF55Vxx (my-d vicinity) ⁵⁾ , Tag-it, PicoPass ⁷⁾
SUPPORTED TRANSPONDERS (STANDARD) 125 KHZ ⁸⁾	AWID, Cardax, CASI-RUSCO, Deister ⁹⁾ , EM4100, 4102, 4200 ¹⁰⁾ , EM4050, 4150, 4450, 4550, EM4305 ¹¹⁾ , FDX-B ¹²⁾ , EM4105 ¹²⁾ , UltraProx ¹²⁾ , HITAG 1 ¹³⁾ , HITAG 2 ¹³⁾ , HITAG S ¹³⁾ , ICT ⁴⁾ , IDTECK, Isonas, Keri, Miro, Nedap ⁹⁾ , PAC ⁴⁾ , Pyramid, Q5, T5557, T5567, T5577, TIRIS/HDX ¹²⁾ , TITAN (EM4050), UNIQUE, ZODIAC
SUPPORTED TRANSPONDERS (OPTION P)	All Standard Transponders, Cotag, G-Prox ⁹⁾ , HID DuoProx II, HID ISO Prox II, HID Micro Prox, HID ProxKey III, HID Prox, HID Prox II, Indala, ioProx, Nexwatch
SUPPORTED TRANSPONDERS (OPTION PI)	Requires TWN4 SIO Card, All Standard Transponders, All Option P Transponders, HID iCLASS, HID iCLASS SE/SR/Elite, HID iCLASS SEOS (Facility Code/PAC) ¹⁴⁾
OS SUPPORT	Windows Embedded CE ⁴⁾ , 7 (32-/64-bit), 8, 8.1, 10, Linux, Android ⁴⁾ , iOS ⁴⁾ , MAC OS X ⁴⁾
PERIPHERAL INTERFACES	USB, RS-232, TTL serial (logic level 3.3 V, CMOS, 5 V tolerant), I ² C, 2 GPIOs, Clock/Data, Wiegand

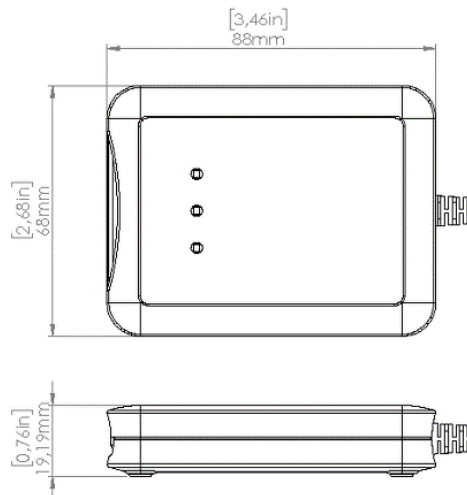
¹⁾UID only ²⁾r/w enhanced security features on request ³⁾EV2/EV3 supported as part of the EV1 downward compatibility ⁴⁾On request ⁵⁾r/w in direct chip command mode ⁶⁾UID + r/w public area ⁷⁾UID only, read/write on request ⁸⁾125 kHz technology requires a Russian local test and import license from the ministry of Trade and Industry (MINPROMTORC). This license has to be in place before Elatec can accept any order to be shipped to Russia ⁹⁾Hash value only ¹⁰⁾Only emulation of 4100, 4102 ¹¹⁾From FW V4.05 ¹²⁾134.2 kHz only ¹³⁾Without encryption ¹⁴⁾UID + PAC (Facility Code), r/w on request

TRANSMISSION SPEED	Host: USB Full speed (12 Mbit/s), RS-232: up to 115,200 baud, Air: up to 848 kbit/s	
CERTIFICATION NAME	TWN4 SmartCard MIFARE NFC USB	
CERTIFICATION(S)	CE/RED, FCC, IC, REACH and RoHS-III compliant	
ORDER CODE(S)	T4SD-FB2BE1	USB Black
	T4SD-FB2WE1	USB White
	T4SD-FB2BE1-P	USB Option P Black
	T4SD-FB2WE1-P	USB Option P White
	T4SD-FB2BE1-PI	USB Option PI Black
	T4SD-FB2WE1-PI	USB Option PI White

ACCESSORIES

CABLES	CAB-B2	USB cable type A 200 cm / 78.74 inch
	CAB-B3	USB cable type A 12 cm / 4.72 inch
	CAB-B4	USB cable type A 45 cm / 17.72 inch
	CAB-B7	USB cable type A 120 cm / 47.24 inch
	CAB-M1	USB cable mini 12 cm / 4.72 inch
	CAB-M2	USB cable mini 25 cm / 9.84 inch
	CAB-R2	RS-232 cable 200 cm / 78.74 inch

HOUSING DRAWING



ELATEC GmbH

Zeppelinstr. 1
82178 Puchheim
Germany
P +49 89 552 9961 0
F +49 89 552 9961 129
E-Mail: info-rfid@elatec.com
Website: elatec.com

ELATEC Systems GmbH

Schwieberdinger Str. 44
71636 Ludwigsburg
Germany
P +49 7141 309736 0
E-Mail: info-rfid@elatec.com
Website: elatec.com

ELATEC Inc.

1995 SW Martin Hwy
Palm City • FL 34990
USA
P +1 772 210 2263
F +1 772 382 3749
E-Mail: americas-info@elatec.com
Website: elatec.com

ELATEC Technology (Shenzhen) LLC

918, Main Building, Tian An Cyber Times
Tower, No. 6, Tairan Fourth Road, Tian 'an
Community, Shatou Neighborhood
Futian District • Shenzhen • China
P/F +86 755 2394 6014
E-Mail: apac-info@elatec.com
Website: elatec.com

ELATEC reserves the right to change any information or data in this document without prior notice. ELATEC declines all responsibility for the use of this product with any other specification but the one mentioned above. Any additional requirement for a specific customer application has to be validated by the customer himself at his own responsibility. Where application information is given, it is only advisory and does not form part of the specification. Disclaimer: All names used in this document are registered trademarks of their respective owners.