

TWN4 SILICONE

IP68 PROTECTIVE HOUSING FOR TWN3 & TWN4 DESKTOP RFID READERS



TWN4 Silicone
Desktop version (inlay customizable)

The Silicone Protective Enclosure is an additional housing covering for TWN3 and TWN4 MultiTech desktop RFID readers.

Special features:

- + Entire device sealed and protected by general purpose silicone rubber
- + Protection comparable to IP68
- + Ideal for wet and dusty environments, easy to clean the device
- + Two standard products available, TWN4 MultiTech 2 BLE and TWN4 MultiTech 2 HF as CCID version
- + Upon request Silicone Protective Enclosure can be provided for other TWN3 and TWN4 desktop readers
- + 3D construction data (STEP) available on request
- + Hygiene certificate on request



Elevator



EV Chargers



Access



Shop POS



Fitness
Equipment



Ticket POS



PC Log-on



Document
Management



Driver ID



Vending



Parking



Gaming



Locker Locks



Time
Attendance



Industrial
PC

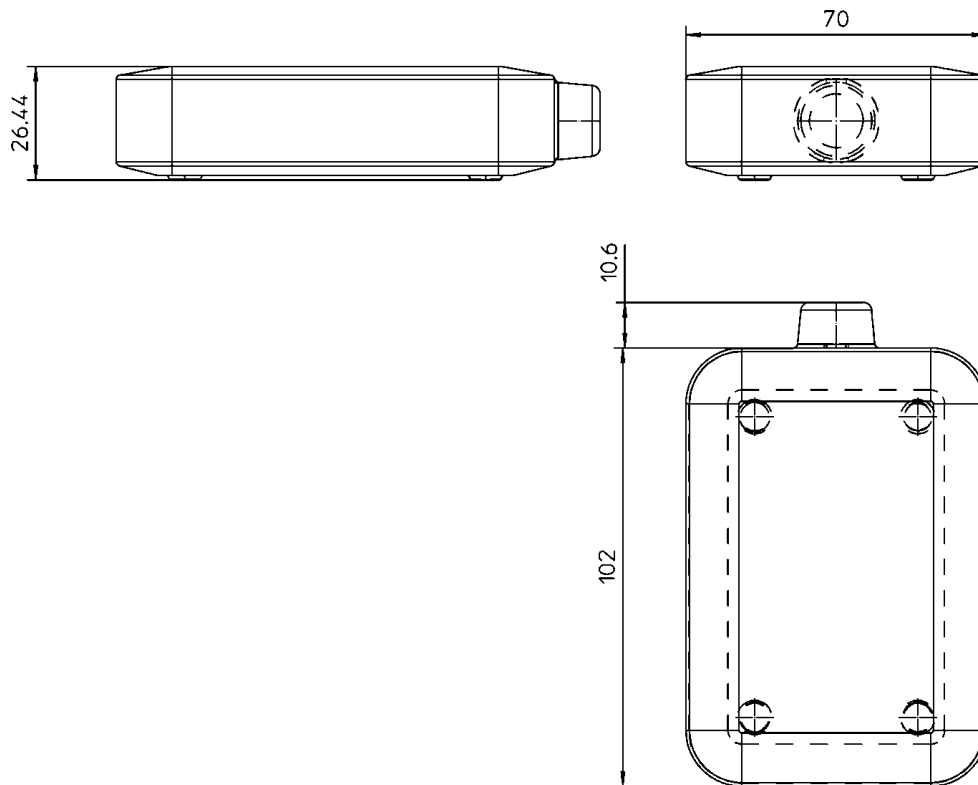
TECHNICAL DATA

HOUSING	Material: XIAMETER® RBB-6650-50 Color: translucent, milky white Protection category: IP68	
DIMENSIONS (L X W X H)	116.6 mm x 70 mm x 26.4 mm / 4.59 inch x 2.76 inch x 1.04 inch, plus cable length	
TEMPERATURE RANGE	Operating: -25 °C up to +70 °C (-13 °F up to +158 °F) Storage: -45 °C up to +75 °C (-49 °F up to +167 °F)	
WEIGHT	Approx. 40 g / 1.41 oz (additive to the weight of a TWN3 or TWN4 reader)	
CERTIFICATION(S)	REACH and RoHS-III compliant	
ORDER CODE(S)	T4BT-FB2WEL7-M	TWN4 MT2 BLE, USB, white, silicone protective
	T4BT-FB2WEL2-MLCCID	TWN4 MT2 HF CCID, USB, white, silicone protective
	Additional variants on request	
TECHNICAL DATA OF READER	See data sheets of incorporated products TWN3 and TWN4 MultiTech families	

¹⁾ Although silicone can withstand higher temperatures, the temperatures are set in consideration of the possible reader models inside

²⁾ Silicone enclosure is available for all desktop readers, the listed order codes are just examples

DRAWING



All measures are in mm

ELATEC GmbH

Zeppelinstr. 1
82178 Puchheim
Germany
P +49 89 552 9961 0
F +49 89 552 9961 129
E-Mail: info-rfid@elatec.com
Website: elatec.com

ELATEC Systems GmbH

Schwieberdinger Str. 44
71636 Ludwigsburg
Germany
P +49 7141 309736 0
E-Mail: info-rfid@elatec.com
Website: elatec.com

ELATEC Inc.

1995 SW Martin Hwy
Palm City • FL 34990
USA
P +1 772 210 2263
F +1 772 382 3749
E-Mail: americas-info@elatec.com
Website: elatec.com

ELATEC Technology (Shenzhen) LLC

918, Main Building, Tian An Cyber Times
Tower, No. 6, Tairan Fourth Road, Tian 'an
Community, Shatou Neighborhood
Futian District • Shenzhen • China
P/F +86 755 2394 6014
E-Mail: apac-info@elatec.com
Website: elatec.com

ELATEC reserves the right to change any information or data in this document without prior notice. ELATEC declines all responsibility for the use of this product with any other specification but the one mentioned above. Any additional requirement for a specific customer application has to be validated by the customer himself at his own responsibility. Where application information is given, it is only advisory and does not form part of the specification. Disclaimer: All names used in this document are registered trademarks of their respective owners.