

# TWN4 SILICON

## IP68 PROTECTIVE HOUSING FOR TWN3 & TWN4 DESKTOP RFID READERS



TWN4 Silicon  
Desktop version (inlay customizable)

The Silicon Protective Enclosure is an additional housing covering for TWN3 and TWN4 MultiTech desktop RFID readers.

Special features:

- + Entire device sealed and protected by general purpose silicon rubber
- + Protection comparable to IP68
- + Ideal for wet and dusty environments, easy to clean the device
- + Two standard products available, TWN4 MultiTech 2 BLE and TWN4 MultiTech 2 HF as CCID version
- + Upon request Silicon Protective Enclosure can be provided for other TWN3 and TWN4 desktop readers
- + 3D construction data (STEP) available on request
- + Hygiene certificate on request



Elevator



EV Chargers



Access



Shop POS



Fitness  
Equipment



Ticket POS



PC Log-on



Document  
Management



Driver ID



Vending



Parking



Gaming



Locker Locks



Time  
Attendance



Industrial  
PC

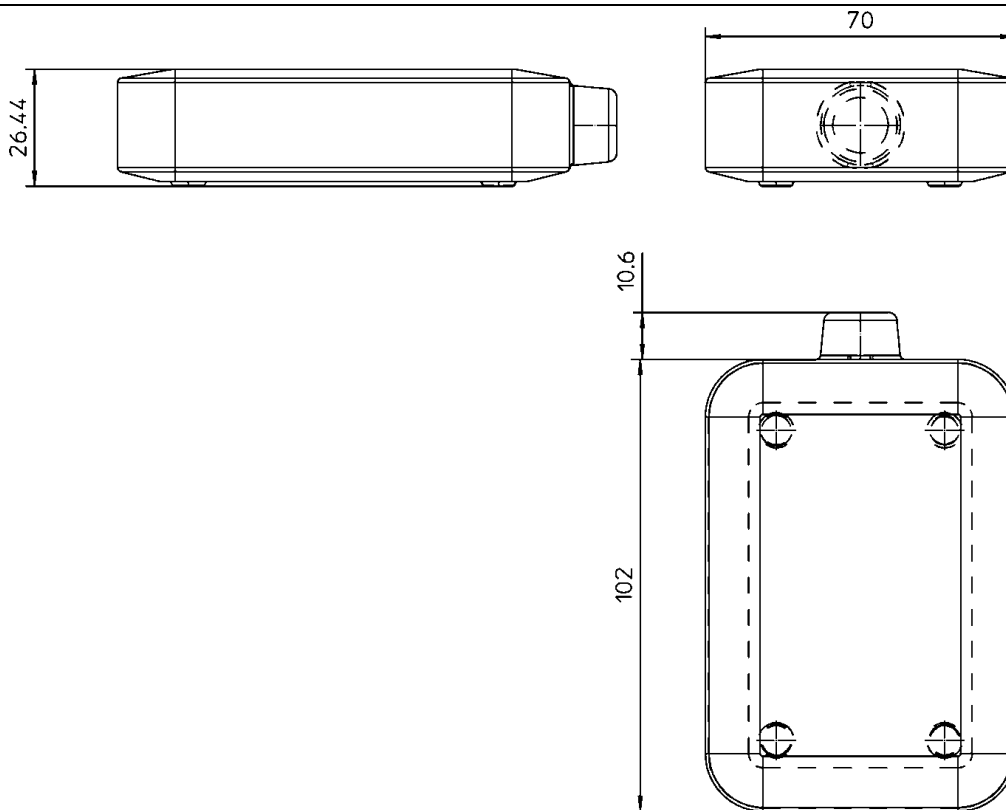
## TECHNICAL DATA

HOUSING	Material: XIAMETER® RBB-6650-50 Color: translucent, milky white Protection category: IP68	
DIMENSIONS (L X W X H)	116.6 mm x 70 mm x 26.4 mm / 4.59 inch x 2.76 inch x 1.04 inch, plus cable length	
TEMPERATURE RANGE <sup>1)</sup>	Operating: -25 °C up to +70 °C (-13 °F up to +158 °F) Storage: -45 °C up to +75 °C (-49 °F up to +167 °F)	
WEIGHT	Approx. 40 g (additive to the weight of a TWN3 or TWN4 reader)	
CERTIFICATION(S)	RoHS-II compliant	
ORDER CODE(S) <sup>2)</sup>	T4BT-FB2WEL7-M T4BT-FB2WEL2-MLCCID Additional variants on request	TWN4 MT2 BLE, USB, white, silicon protective TWN4 MT2 HF CCID, USB, white, silicon protective
TECHNICAL DATA OF READER	See data sheets of incorporated products TWN3 and TWN4 MultiTech families	

<sup>1)</sup> Although silicon can withstand higher temperatures the temperatures are set in consideration of the possible reader models inside

<sup>2)</sup> Silicon enclosure is available for all desktop readers, the listed order codes are just examples

## DRAWING



All measures are in mm.

### ELATEC GmbH

Zeppelinstr. 1  
82178 Puchheim • Germany  
P +49 89 552 9961 0 • F +49 89 552 9961 129  
E-Mail: info-rfid@elatec.com  
Website: elatec.com

### ELATEC Inc.

4203 SW High Meadows Ave  
Palm City • FL 34990 • USA  
P +1 772 210 2263 • F +1 772 382 3749  
E-Mail: americas-info@elatec.com  
Website: elatec.com

### ELATEC Technology (Shenzhen) LLC

No. 716 Industrial Bank Tower  
Futian District • Shenzhen • China  
P/F +86 755 2394 6014  
E-Mail: apac-info@elatec.com  
Website: elatec.com

ELATEC reserves the right to change any information or data in this document without prior notice. ELATEC declines all responsibility for the use of this product with any other specification but the one mentioned above. Any additional requirement for a specific customer application has to be validated by the customer himself at his own responsibility. Where application information is given, it is only advisory and does not form part of the specification. Disclaimer: All names used in this document are registered trademarks of their respective owners.