

TWN4 Slim LEGIC

Multi-frequency RFID reader (LF/HF) with NFC and BLE support



TWN4 Slim LEGIC
(exemplary illustrations)

Even smaller than an ID-1 card – The RFID readers of the TWN4 Slim family are ELATEC most compact and flat readers. All devices are available with an NXP or LEGIC frontend and support NFC and Bluetooth Low Energy (BLE) technologies, which makes the readers an ideal solution for mobile data communication and authentication applications. In addition, they are equipped with a flexible micro USB cable and, optionally, with mounting holes that enable a quick and easy installation into any industrial application, especially MFP printers. The readers are available as part of a kit with several accessories (e.g. cables, mounting frame or snap-in covers for printers) or as a standalone unit working with a PC or any other device equipped with a USB interface.

Key features of the TWN4 Slim LEGIC reader include an extremely compact form factor that enables a smooth integration into almost any host system, an optimized design for industrial and secure printing applications, a powerful SDK for writing apps that are executed directly on the reader, and the LEGIC SM-6300 frontend with integrated BLE module. Additionally, the reader can read more than 60 RFID technologies from low (LF) and high frequency (HF) bands, including NFC. This gives the option to select as many of the technologies required instead of being forced to select just a few ones.

Special features:

- + Possibility to read more than 60 RFID technologies
- + Two RFID frequencies (125 kHz/13.56 MHz), NFC, BLE and LEGIC frontend chip SM-6300 within ELATEC most compact and flat reader
- + Optimized design with flexible micro USB cable and optional mounting holes
- + Powerful SDK for writing apps which are executed directly on the reader
- + Firmware update in the field possible
- + On-board 18 kB flash storage, e.g. for storing user accessible non-volatile data
- + Supports transparent data exchange with RFID media
- + CCID and PC/SC 2.01
- + Customizable inlay design



Elevator



EV Chargers



Access



Shop POS



Fitness
Equipment



Ticket POS



PC Log-on



Document
Management



Driver ID



Vending



Parking



Gaming



Locker Locks



Time
Attendance



Industrial
PC

TECHNICAL DATA

FREQUENCIES	125 kHz (LF) / 13.56 MHz (HF) / 2.4 GHz (BLE)
ANTENNAS	Integrated
HOUSING	Material: ABS+PC blend, UL94-V0. Two 3.20 mm (0.13 inch) mounting holes for OEM integration (requires special inlay) Color: black
DIMENSIONS (L X W X H)	Approx. 65.50 x 45.50 x 4.00 mm / 2.58 x 1.79 x 0.16 inch
POWER	Micro USB: 4.3 V – 5.5 V ES1/PS2 classified power source according to IEC 62368-1, short-circuit current < 8 A
CURRENT CONSUMPTION	RF field on: 135 mA typically (preliminary) / Idle: 70 mA
TEMPERATURE RANGE	Operating: -20 °C up to +60 °C (-4 °F up to +140 °F) Storage: -30 °C up to +70 °C (-22 °F up to +158 °F)
RELATIVE HUMIDITY	5% to 95% non-condensing
READ/WRITE DISTANCE	LF and HF: up to 80 mm / 3.15 inch, depending on environment and transponder BLE: up to several meters/feet
OPERATING MODES (USB)	USB keyboard emulation – USB virtual COM port – CCID / PC/SC 2.01
BLUETOOTH LOW ENERGY	BLE version 5.0 (upgradable) LEGIC Connect on demand
MTBF	500,000 hours
WEIGHT	Approx. 18 g / 0.64 oz (without cable and holder)
SUPPORTED OPTIONS AND TRANSPONDERS	Depending on the firmware version and installed options, ELATEC readers and modules can support a wide range of RFID technologies. Please refer to the relevant ELATEC transponder matrix (available at www.elatec-rfid.com/int/transponder-technology) for more information about the available options and RFID technologies supported by the product.
OS SUPPORT	Windows 7 (32-/64-bit) and higher versions, Linux, Android ¹⁾ , iOS ¹⁾ , MAC OS X ¹⁾
PERIPHERAL INTERFACES	1 SAM slot for ID-000 card format, female micro USB, flexible cable, use only with CAB-BS1 – CAB-BS7 shielded cables
TRANSMISSION SPEED	Host: USB full speed (12 Mbit/s), HF Air: up to 848 kbit/s
CERTIFICATION NAME	TWN4 Slim LEGIC
CERTIFICATIONS	Non-exhaustive list ²⁾ : CE/RED, FCC, IC, TAA compliant, REACH and RoHS-III compliant
ORDER CODES	<p>Standalone reader, without cable</p> <p>T4QC-DC3B7 Standard reader T4QC-DC3B7-P Reader with P option</p> <p>TWN4 Slim LEGIC kits</p> <p>Individual kits are available on request. Kits are a compilation of the TWN4 Slim LEGIC reader, accessories and packaging configuration (boxed or bulk packaging). After the configuration of a TWN4 Slim LEGIC kit, customers receive their own article number.</p>

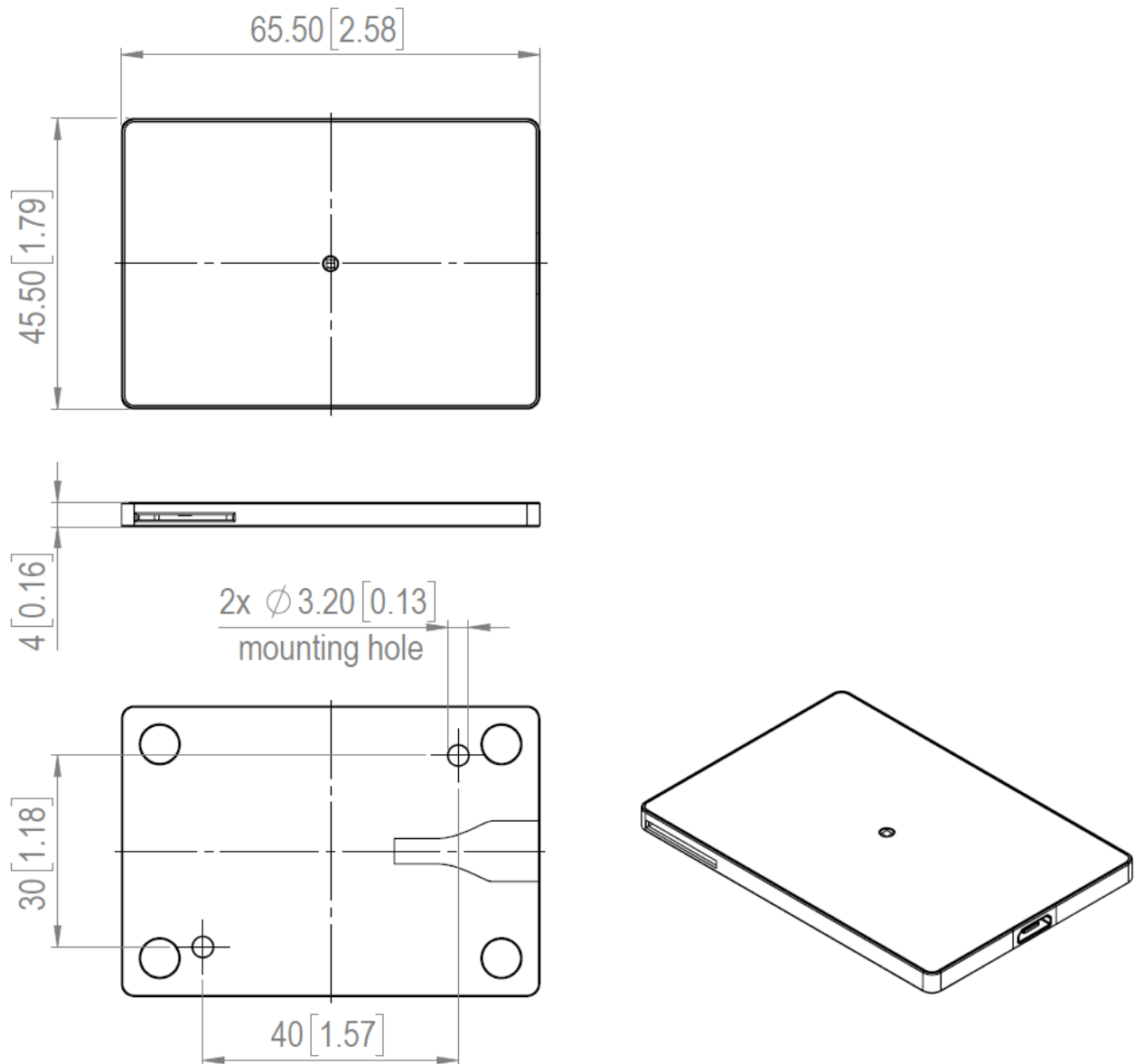
¹⁾On request

²⁾The product has been certified for use in many countries and regions. Contact your Sales representative for detailed information about all certifications and approvals granted to the product.

ACCESSORIES

CABLES	ELATEC RFID readers and modules can be delivered with additional cables. Refer to the data sheet <i>Cables for ELATEC devices</i> for detailed information.	
ADDITIONAL COMPONENTS	HFQC-B	TWN4 Slim mounting frame, black
	MECH-CCK3	Cable clip kit, adhesive, black (3pcs)
	MECH-QHC1B	TWN4 Slim HIP1 cover
	MECH-QHC2B	TWN4 Slim HIP2 cover
	MECH-QRBF1	TWN4 Slim rubber feet, 4pcs/set

TECHNICAL DRAWINGS



All measures in mm [inch]

HQ / EUROPE

ELATEC GmbH
Zeppelinstraße 1
82178 Puchheim, Germany
P +49 89 552 9961 0
F +49 89 552 9961 129
info-rfid@elatec.com

AMERICAS

ELATEC Inc.
1995 SW Martin Hwy.
Palm City, FL 34990, USA
P +1 772 210 2263
F +1 772 382 3749
americas-info@elatec.com

APAC

ELATEC Singapore
1 Scotts Road #21-10 Shaw
Centre, Singapore 228208
P +65 9670 4348
apac-info@elatec.com

MIDDLE EAST

ELATEC Middle East
Trading FZE
P.O. Box 16868, Dubai, UAE
P +971 50 9322691
middle-east-info@elatec.com

elatec.com

ELATEC reserves the right to change any information or data in this document without prior notice. ELATEC declines all responsibility for the use of this product with any other specification but the one mentioned above. Any additional requirement for a specific customer application has to be validated by the customer themselves at their own responsibility. Where application information is given, it is only advisory and does not form part of the specification. Disclaimer: All names used in this document are registered trademarks of their respective owners.