

TWN3 MIFARE

Single-frequency HF RFID reader with
NFC support



TWN3 MIFARE
(exemplary illustration)

TWN3 MIFARE is an RFID desktop reader designed for easy integration into various applications that supports either USB or RS-232 communication just in dependence on the connection cable. The ready-to-connect desktop reader is available in a slim line black or white housing and can be programmed with a scripting language for autonomous execution of even complex commands like login procedures, increment/decrement functions and many more.



Elevator



EV Chargers



Access



Shop POS



Fitness
Equipment



Ticket POS



PC Log-on



Document
Management



Driver ID



Vending



Parking



Gaming



Locker Locks



Time
Attendance



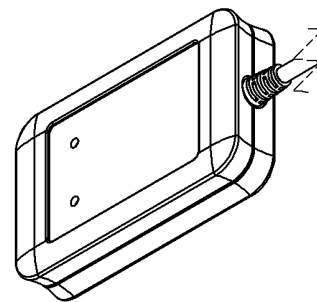
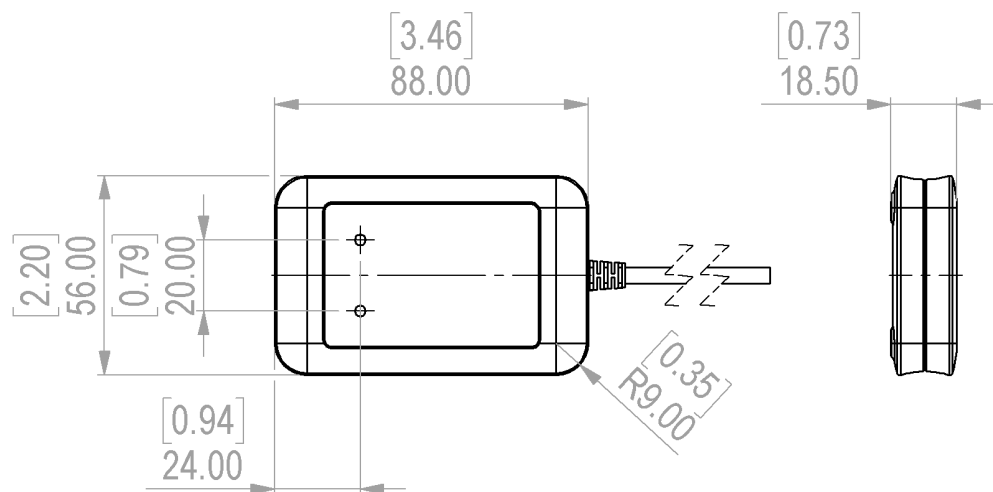
Industrial
PC

TECHNICAL DATA

FREQUENCIES	13.56 MHz (HF)
ANTENNA	PCB aircoil, integrated
HOUSING	Material: ABS UL94-V0 Color: black or white
DIMENSIONS (L X W X H)	Approx. 88.00 x 56.00 x 18.50 mm / 3.46 x 2.20 x 0.73 inch
POWER	USB: 5.0 V ± 10% RS-232: requires 5 V external power supply PS2 classified power source according to IEC 62368-1, short-circuit current < 8 A
CURRENT CONSUMPTION	55 mA typically (USB, normal operation); 120 mA peak
TEMPERATURE RANGE	Operating: -25 °C up to +70 °C (-13 °F up to +158 °F) Storage: -40 °C up to +75 °C (-40 °F up to +167 °F)
RELATIVE HUMIDITY	5% to 95% non-condensing
READ/WRITE DISTANCE	Up to 100 mm / 4 inch, depending on environment and transponder
OPERATING MODES (USB)	USB keyboard emulation – USB virtual COM port (bi-directional communication) – Direct access to built-in RFID module (transparent mode)
MTBF	500,000 hours
SUPPORTED TRANSPONDERS	Depending on the firmware version, the reader supports a wide range of transponder technologies. Please refer to the relevant ELATEC transponder matrix (available at www.elatec-rfid.com/int/transponder-technology) for more information about the transponder technologies supported by the reader.
OS SUPPORT	Windows 7 (32-/64-bit) and higher versions, Linux
PERIPHERAL INTERFACES	USB, RS-232
TRANSMISSION SPEED	USB full speed (12 Mbit/s) RS-232: baudrate 9600 Parity: none, even, odd
CERTIFICATION NAME	TWN3 MIFARE
CERTIFICATIONS	Non-exhaustive list ²⁾ : CE/RED, FCC, IC, REACH and RoHS-III compliant
ORDER CODES	T3DT-MB2BEL Standard reader, USB cable, black housing T3DT-MB2WEL Standard reader, USB cable, white housing T3DT-MR2BEL Standard reader, RS-232 cable, black housing T3DT-MR2WEL Standard reader, RS-232 cable, white housing

¹⁾The product has been certified for use in many countries and regions. Contact your Sales representative for detailed information about all certifications and approvals granted to the product.

TECHNICAL DRAWINGS



All measures in mm [inch]

ELATEC GmbH

Zeppelinstr. 1
82178 Puchheim
Germany
P +49 89 552 9961 0
F +49 89 552 9961 129
E-Mail: info-rfid@elatec.com
Website: elatec.com

ELATEC Systems GmbH

Schwieberdinger Str. 44
71636 Ludwigsburg
Germany
P +49 7141 309736 0
E-Mail: info-rfid@elatec.com
Website: elatec.com

ELATEC Inc.

1995 SW Martin Hwy
Palm City • FL 34990
USA
P +1 772 210 2263
F +1 772 382 3749
E-Mail: americas-info@elatec.com
Website: elatec.com

ELATEC Technology (Shenzhen) LLC

918, Main Building, Tian An Cyber Times
Tower, No. 6, Tairan Fourth Road, Tian 'an
Community, Shatou Neighborhood
Futian District • Shenzhen • China
P/F +86 755 2394 6014
E-Mail: apac-info@elatec.com
Website: elatec.com

ELATEC reserves the right to change any information or data in this document without prior notice. ELATEC declines all responsibility for the use of this product with any other specification but the one mentioned above. Any additional requirement for a specific customer application has to be validated by the customer himself at his own responsibility. Where application information is given, it is only advisory and does not form part of the specification. Disclaimer: All names used in this document are registered trademarks of their respective owners.