

TWN4 MultiTech Nano LEGIC 63 M

INTEGRATION MANUAL

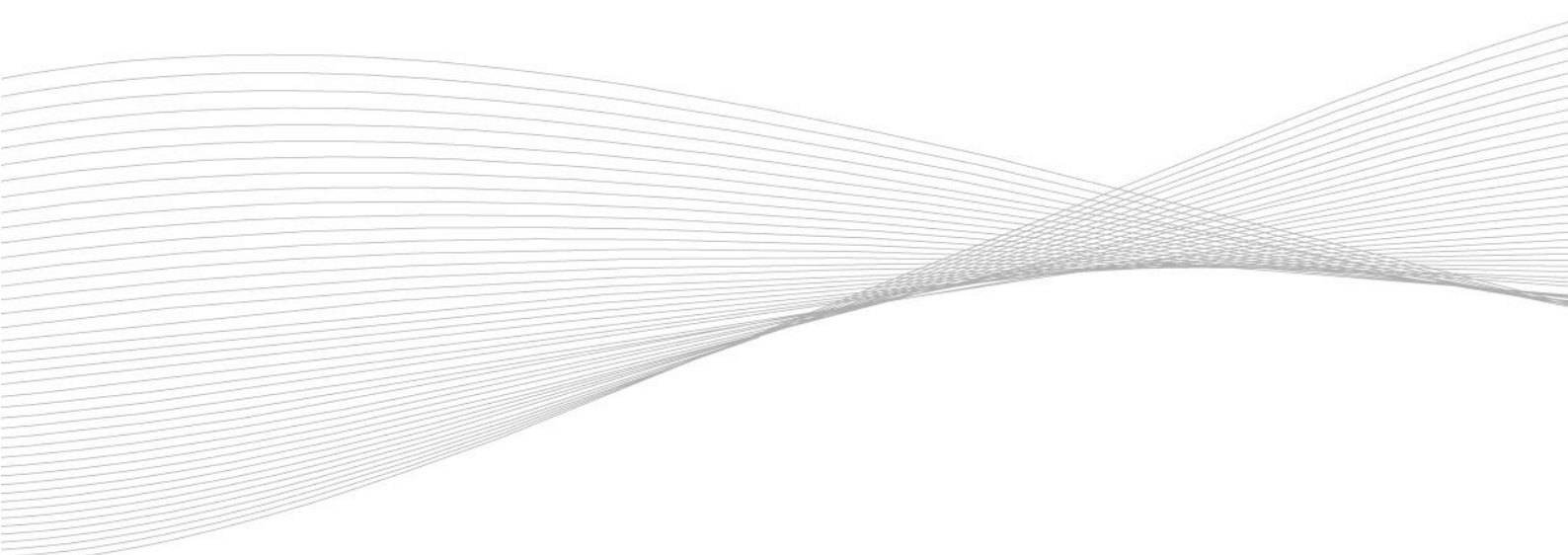


TABLE OF CONTENTS

1	INTRODUCTION.....	4
1.1	ABOUT THIS MANUAL.....	4
1.2	ELATEC SUPPORT.....	4
2	SAFETY INFORMATION.....	5
3	INTEGRATION INSTRUCTIONS.....	7
3.1	GENERAL.....	7
3.2	LIST OF APPLICABLE RULES.....	7
3.3	SPECIFIC OPERATIONAL USE CONDITIONS.....	7
3.4	LIMITED MODULE PROCEDURES.....	7
3.5	TRACE ANTENNA DESIGN.....	8
3.6	RF EXPOSURE CONSIDERATIONS.....	8
3.7	ANTENNAS.....	8
3.8	LABEL AND COMPLIANCE INFORMATION.....	9
3.9	TEST MODES AND ADDITIONAL TESTING REQUIREMENTS.....	9
3.10	INSTALLATION.....	9
3.11	ELECTRICAL CONNECTION.....	10
3.12	PROGRAMMATION/SOFTWARE INTEGRATION.....	10
4	INTEGRATOR AND HOST REQUIREMENTS.....	11
4.1	SPECIAL ACCESSORIES.....	11
4.2	SIMULTANEOUS TRANSMISSION.....	11
	APPENDIX.....	12
	A – RELEVANT DOCUMENTATION.....	12
	B – TERMS AND ABBREVIATIONS.....	12
	C – REVISION HISTORY.....	12

1 INTRODUCTION

1.1 ABOUT THIS MANUAL

This integration manual explains how to integrate ELATEC RFID module TWN4 MultiTech Nano LEGIC 63 M into a host device and is mainly intended for integrators and host manufacturers. Before installing the product, the integrators should read and understand the content of this manual and other relevant installation documents.

The content of this manual is subject to changes without prior notice and printed versions might be obsolete. Integrators and host manufacturers are required to use the latest version of this manual.

For the sake of better understanding and readability, this manual might contain exemplary pictures, drawings and other illustrations. Depending on your product configuration, these pictures might differ from the actual design of your product.

The original version of this manual has been written in English. Wherever the manual is available in another language, it is considered as a translation of the original document for information purposes only. In case of discrepancy, the original version in English will prevail.

1.2 ELATEC SUPPORT

In case of any technical questions or product malfunction, refer to the ELATEC website (www.elatec.com) or contact ELATEC technical support at **support-rfid@elatec.com**

2 SAFETY INFORMATION

- Before unpacking and installing the product, this manual and all relevant installation instructions must be read carefully and understood.
- The product is an electronic device whose installation requires specific skills and expertise. **The installation of the product should be done by trained and qualified personnel only.**
- Before installing the product into a host device, the integrator should make sure that he/she has read and understood the ELATEC technical documentation related to the product, as well as the technical documentation related to the host device. In particular, the instructions and safety information given in the user manual of the TWN4 MultiTech Nano family should be read carefully and listed in the technical documentation of the host manufacturer as well, as soon as these instructions and safety information are required for a safe and proper use of the host device containing TWN4 MultiTech Nano LEGIC 63 M.
- ELATEC also recommends the integrators to follow general ESD protective measures during the installation of the product into a host device, e.g. the use of an antistatic wristband or special gloves.
- The product might show sharp edges or corners and requires a particular attention during the unpacking and installation. **Unpack the product carefully and do not touch any sharp edges or corners, or any sensitive components on the product. If necessary, wear safety gloves.**
- The integrator should not touch the antennas (if not shielded), printed circuit boards, connectors or other sensitive components on the product.
- Metallic materials on or in direct vicinity to the product might reduce the reading performance of the product. Refer to the installation instructions or contact ELATEC for more information.
- In case the product is equipped with a cable, do not twist or pull the cable excessively.
- In case the product is equipped with a cable, the cable may not be replaced or extended. ELATEC excludes any liability for damages or injuries resulting from the use of the product with a cable extension or a replaced cable.
- To comply with the applicable RF exposure requirements, the product should be installed and operated with a minimum distance of 20 cm to any user's/nearby person's body at all times. Refer to Chapter "RF exposure considerations" for further information about RF exposure compliance.
- The use of other RFID readers or modules in direct vicinity to the product, or in combination with the product might damage the product or alter its reading performance. In case the host device already contains other RFID devices, observe a minimum distance of 30 cm between all RFID devices to achieve the best performance for each device. In case of doubts, contact ELATEC for more information.
- Before installing the product into the host device, the power supply of the host device must be turned off.



Warning

Powering the product with more than one power source at the same time or using the product as a power supply for other devices may lead to injuries or property damage.

- Do not power the product via more than one power source at the same time.
- Do not use the product as a power supply for other devices.

If you are unsure about any part of the safety information above, contact ELATEC support.

Any failure to comply with the safety information given in this document is considered improper use. ELATEC excludes any liability in case of improper use or faulty product installation.

3 INTEGRATION INSTRUCTIONS

3.1 GENERAL

TWN4 MultiTech Nano LEGIC 63 M may be installed into any host device, as long as it is operated under the operational conditions stated in the product user manual and other technical documents (e.g. data sheet).

3.2 LIST OF APPLICABLE RULES

Refer to the approval certificates, grants and declarations of conformity issued for TWN4 MultiTech Nano LEGIC 63 M, and to Chapter "Compliance statements" in the user manual of the TWN4 MultiTech Nano family for more information about the rules applicable to TWN4 MultiTech Nano LEGIC 63 M.

3.3 SPECIFIC OPERATIONAL USE CONDITIONS

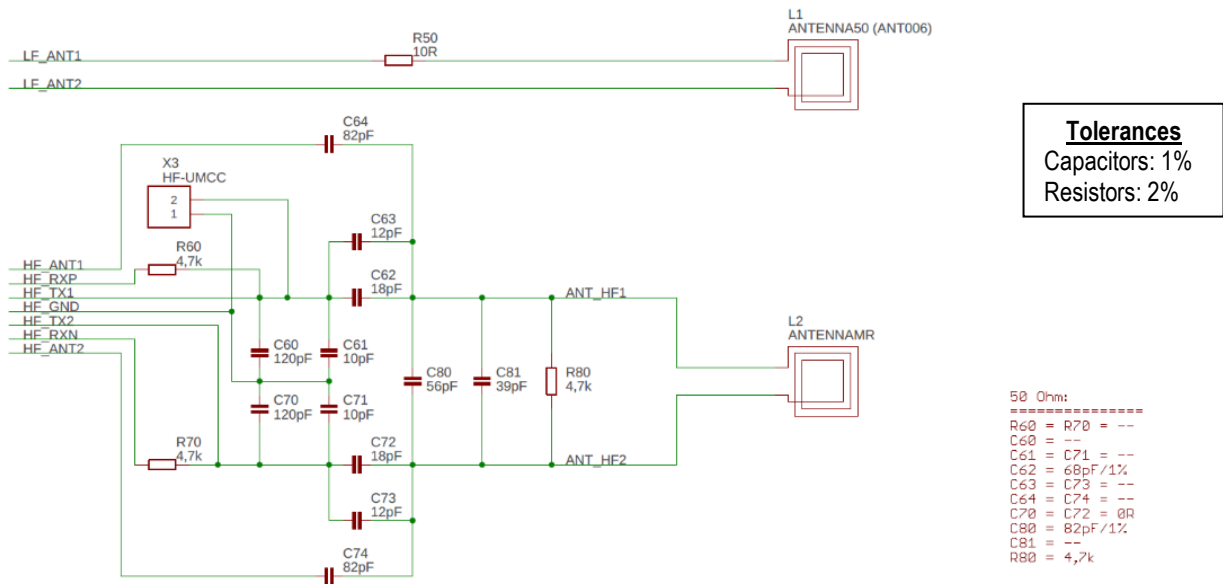
TWN4 MultiTech Nano LEGIC 63 M is an RFID module without antenna that can be connected to an external antenna through a printed circuit board (125 kHz, 13.56 MHz or both). The module has been tested with a printed circuit board equipped with specific antennas (refer to Chapter "Antennas" for detailed information). The use of the module with other antennas is technically possible. However, such use conditions require additional testing and/or approval.

If TWN4 MultiTech Nano LEGIC 63 M is used with antennas as described under Chapter "Antennas", there are no specific operational use conditions other than the conditions mentioned in the user manual and data sheet of the module. The host manufacturer or integrator must ensure that these use conditions comply with the use conditions of the host device. In addition, these use conditions must be stated in the user manual of the host device.

3.4 LIMITED MODULE PROCEDURES

n/a

3.5 TRACE ANTENNA DESIGN



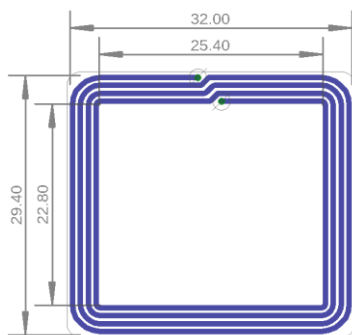
For antenna information, refer to Chapter "Antennas".

3.6 RF EXPOSURE CONSIDERATIONS

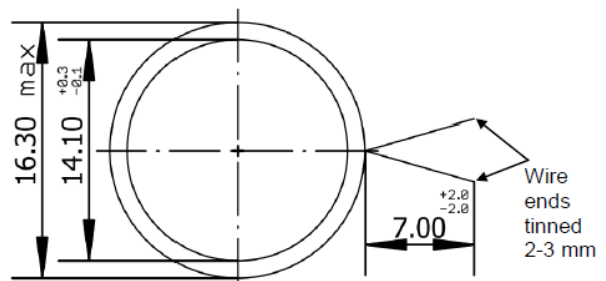
The antennas of TWN4 MultiTech Nano LEGIC 63 M must be installed to meet the applicable RF exposure compliance requirements and any additional testing and authorization process as required. Refer to Chapter "Safety information" for detailed information about the radio frequency exposure conditions applicable to the product. These RF exposure conditions must be stated in the end-product manual(s) of the host device manufacturer.

3.7 ANTENNAS

TWN4 MultiTech Nano LEGIC 63 M has been tested with an external printed circuit board equipped with the following antennas:



HF antenna on external PCB, printed, one-sided



LF antenna on external PCB, glued and soldered

HF antenna (13.56 MHz)

Outer dimensions: 32 x 29.4 mm / 1.26 x 1.16 inch ± 1%

Number of turns: 4

Inductance: 950 nH ± 5%

PCB trace width: 0.6 mm / 0.02 inch

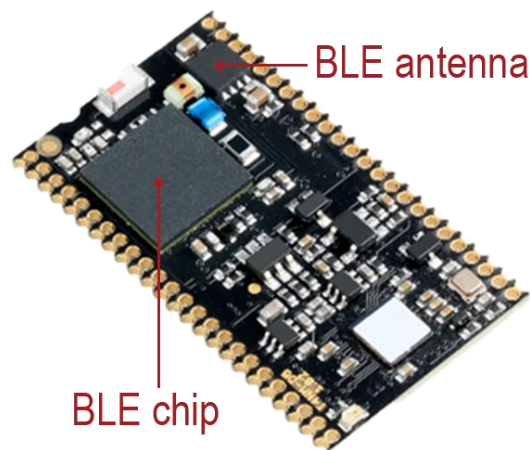
LF antenna (125 kHz)

Outer diameter: max. 16.3 mm / 0.64 inch
Number of turns: about 144 (max. 150)
Inductance: 490 μ H \pm 5%
Wire diameter: 0.10 mm / 0.0039 inch
Lead free, coil fixed by using backed wire

Please note that the use of TWN4 MultiTech Nano LEGIC 63 M with other antennas than the ones described above is not part of the approvals granted to the module. In case TWN4 MultiTech Nano LEGIC 63 M is used with other antennas, a separate approval, additional testing or new authorization for a use with these specific antennas is required.

BLE module (2.4 GHz)

TWN4 MultiTech Nano LEGIC 63 M has an integrated BLE module.



For more information, refer to the related product data sheet or other relevant technical documents.

3.8 LABEL AND COMPLIANCE INFORMATION

Refer to Chapter “Compliance statements” in the user manual of the TWN4 MultiTech Nano family for detailed label and compliance information.

3.9 TEST MODES AND ADDITIONAL TESTING REQUIREMENTS

No specific testing method has been defined by ELATEC for TWN4 MultiTech Nano LEGIC 63 M. The product has been tested and found in compliance with the specifications noted on the approval certificates and other relevant approval documents. However, the integrator is still responsible for any additional testing and authorization process required for the end product.

It is recommended that the host device manufacturer installing the modular transmitter perform some investigative measurements to confirm that the resulting composite system does not exceed the spurious emissions limits or band edge limits (e.g., where a different antenna may be causing additional emissions).

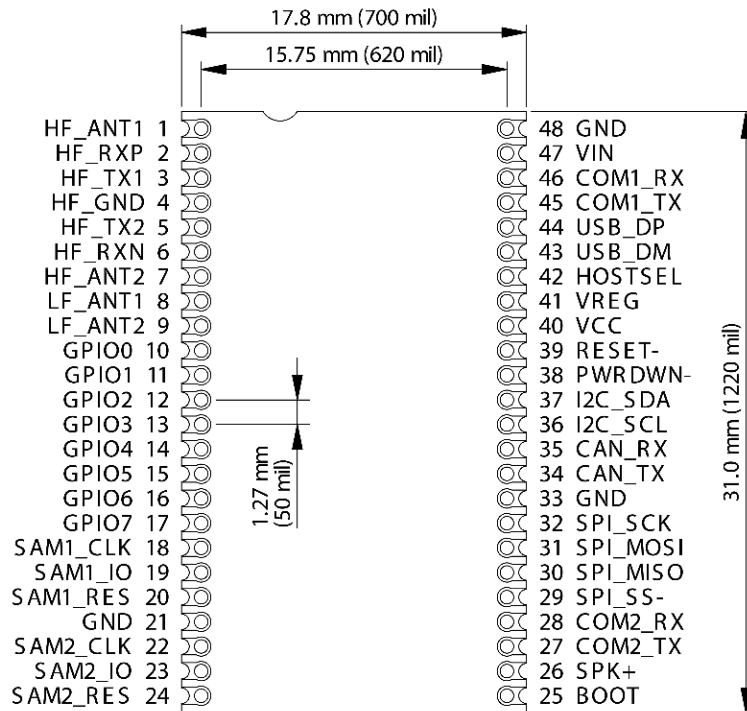
3.10 INSTALLATION

TWN4 MultiTech Nano LEGIC 63 M is available in two different versions: C0 and C1

The C0 version is equipped with solder pads on both sides that enable to integrate (i.e. solder) the module directly onto the PCB or host device using the SMT technology, whereas the pin connectors on the C1 version are suitable for THT mounting.

For both versions, the components are mounted only on one side of the module to allow an easy integration into the host device.

3.11 ELECTRICAL CONNECTION



3.12 PROGRAMMATION/SOFTWARE INTEGRATION

n/a

4 INTEGRATOR AND HOST REQUIREMENTS

4.1 SPECIAL ACCESSORIES

Where special accessories, such as shielded cables and/or special connectors, are required to comply with the emission limits, the instruction manual shall include appropriate instructions on the first page of the text describing the installation of the device.

4.2 SIMULTANEOUS TRANSMISSION

When the host product supports simultaneous-transmission operations, the host manufacturer needs to check if there are additional RF exposure filing requirements due to the simultaneous transmissions. When additional application filing for RF exposure compliance demonstration is not required (e. g. the RF module in combination with all simultaneously operating transmitters complies with the RF exposure simultaneous transmission SAR test exclusion requirements), the host manufacturer may do his own evaluation without any filing, using reasonable engineering judgment and testing for confirming compliance with out-of-band, restricted band, and spurious emission requirements in the simultaneous-transmission operating modes. If additional filing is required, please contact the person at ELATEC GmbH responsible for certification of the RF module.

APPENDIX

A – RELEVANT DOCUMENTATION

ELATEC documentation

- TWN4 MultiTech Nano family, user manual
- TWN4 MultiTech Nano LEGIC 63 M data sheet

External documentation

Document name	Document title/description	Source
n/a	Technical documentation related to the host device	Host device manufacturer

B – TERMS AND ABBREVIATIONS

TERM	EXPLANATION
BLE	Bluetooth Low Energy
ESD	electrostatic discharge
HF	high frequency
LF	low frequency
n/a	not applicable
RFID	radio frequency identification
SMT	Surface Mount Technology
THT	Through Hole Technology

C – REVISION HISTORY

VERSION	CHANGE DESCRIPTION	EDITION
04	Chapters "Safety information" and "Antennas" updated	11/2024
03	Editorial changes, chapters "Introduction", "Safety information", "Integration instructions" and "Integrator and host requirements" updated, chapter "Compliance statements" deleted.	05/2024
02	Chapters "Trace antenna design" and "Compliance statements" updated	04/2022
01	First edition	01/2022



elatec.com

EMEA

Puchheim, Germany
+49 89 552 9961 0
sales-rfid@elatec.com

AMERICAS

Palm City, Florida, USA
+1 772 210 2263
americas-info@elatec.com

ASIA

Shenzhen, China
+86 755 23946014
apac-info@elatec.com

ELATEC reserves the right to change any information or data in this document without prior notice. ELATEC declines all responsibility for the use of this product with any other specification but the one mentioned above. Any additional requirement for a specific customer application has to be validated by the customer themselves at their own responsibility. Where application information is given, it is only advisory and does not form part of the specification. Disclaimer: All names used in this document are registered trademarks of their respective owners.