

TWN4 SMARTCARD HOLDER

Mounting kit for TWN4 MultiTech SmartCard reader



The TWN4 SmartCard Holder is a mounting kit to attach Elatec's TWN4 MultiTech SmartCard readers on a flat surface with screws (not included in the kit) or with a strong double sided adhesive pad (included in the kit). It is available in white and black color and consists of two parts which can be assembled for left or for right side mounting.

Since the TWN4 MultiTech SmartCard reader is an identification device which offers extended security, the design of its holder incorporates several intrusion prevention features as well.

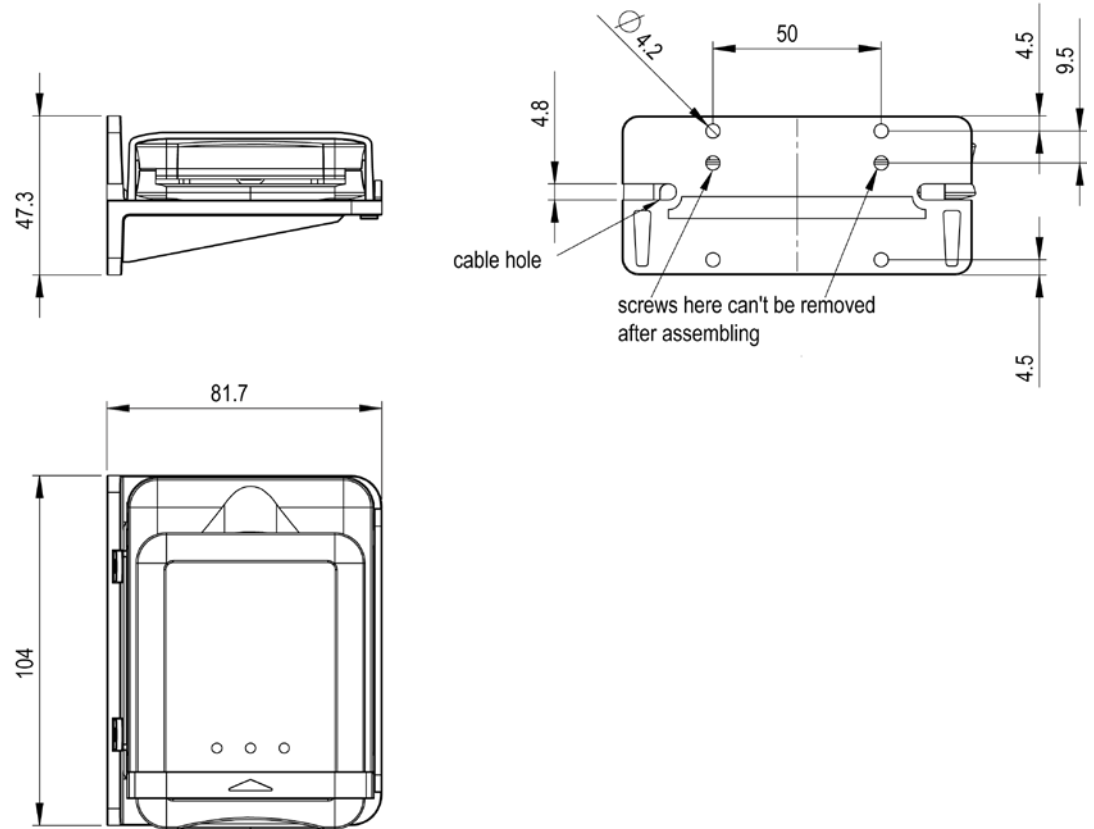
Special features:

- Mounting on both sides of a machine possible
- Mounting methods: screws or double sided adhesive pad
- A screw mounting option prohibiting further unmounting of the reader available
- A slot to optionally route the RFID reader cable into the main machine without cable exposure for enhanced security; external cable routing methods are also available

Technical Data

Dimensions

Dimensions: mm



| | |
|------------|---|
| Material | ABS, color white (RAL9002) or black (RAL9005) |
| Weight | 58 g |
| Order Code | HKSD-W – white HKSD-B – black |

Elatec reserves the right to change any information or data in this document without prior notice. Elatec declines all responsibility for the use of this product with any other specification but the one mentioned above. Any additional requirement for a specific customer application has to be validated by the customer himself at his own responsibility. Where application information is given, it is only advisory and does not form part of the specification. Disclaimer: All names used in this document are registered trademarks of their respective owners.

© 2017 Elatec GmbH – DocRev1 – 05/2017